

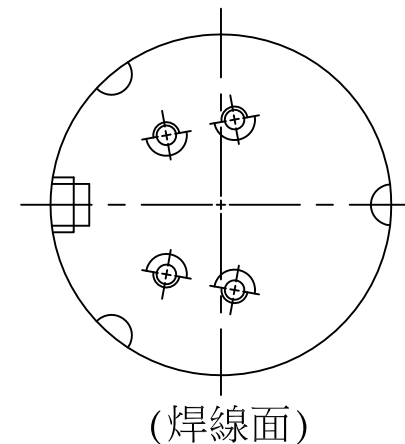
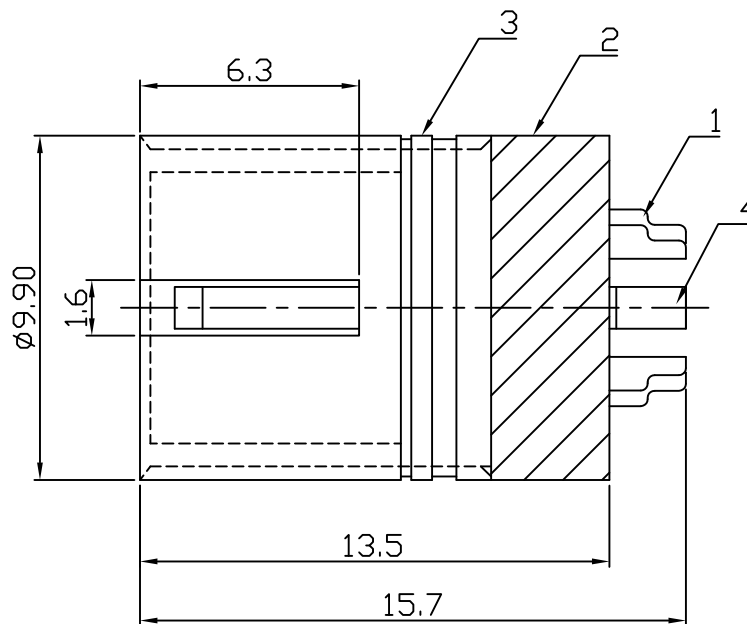
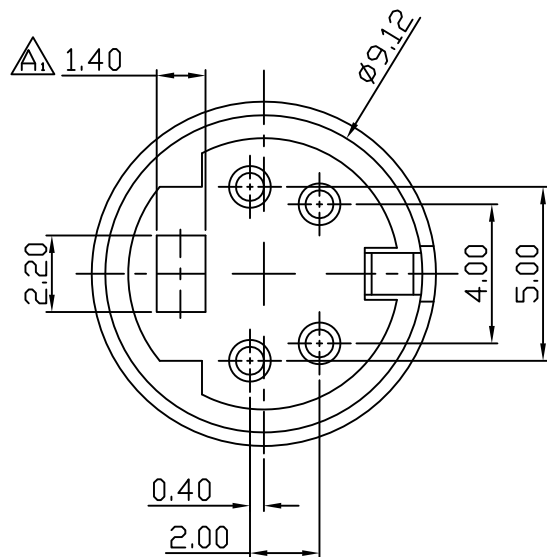
1 2 3 4 5 6 7 8

A

B

C

D



A

B

C

D

4	14.7L接地片	1	SL1471202	?銅或鍍銅, T=0.30±0.03MM SILVER PLATED.
3	3-8P 切溝母銅管	1	FT0309101	BRASS, T=0.40±0.03MM NICKEL PLATED OR GOLD FLASH PLATED
2	4P 母膠心	1	FE0004001	PBT+15%GF, UL 94 V-0
1	14.0L 杯口母PIN	4	PI131140XX	PHOSPHOR BRONZE, T=0.20±0.03MM PLATING: SEE TABLE
項次	名稱	數量	料號	規格

ELECTRICAL CHARACTERISTICS:
 RATING: 100V AV 1A MAX or
 12V DC 2A MAX
 INSULATION RESISTANCE:
 50mΩ MIN at 250V DC
 DIELECTRIC STRENGTH:
 250V AC/1 minute

TABLE:

XX	PLATING	06	GOLD PLATED 10u" MIN.
00	NICKEL PLATED.	07	GOLD PLATED 15u" MIN.
01	TIN PLATED.	08	GOLD PLATED 20u" MIN.
02	SILVER PLATED.	09	GOLD PLATED 30u" MIN.
03	GOLD FLASH PLATED.	10	GOLD PLATED 50u" MIN.
04	GOLD PLATED 3u" MIN.	11	G.F./TIN PLATED前金后鍍.
05	GOLD PLATED 5u" MIN.	12	3U"G./TIN PLATED前金后鍍.

F

東莞世華電子有限公司
 SHYH HWA ELECTRONICS CO.,LTD.(DONGGUAN)
 地址: 東莞市塘廈鎮諸佛嶺178工業區
 TEL: 0769-7910020-1 FAX: 0769-7910210

DRAWN BY 丁麗
 CHECKED BY
 APPROVED BY
 ITEM 4P 切溝杯口母頭+片
 (溝6.3*1.6)
 PART NO FJ10401XX-D

ANGLE PROJECTION
 UNIT MM
 SCALE 5:1
 DATE 08/19/2004
 TOLERANCE
 X±0.2
 .XX±0.10

REVISION
 尺寸修訂
 DESCRIPTION
 DATE 08/19/2004

1 2 3 4 5 6 7 8