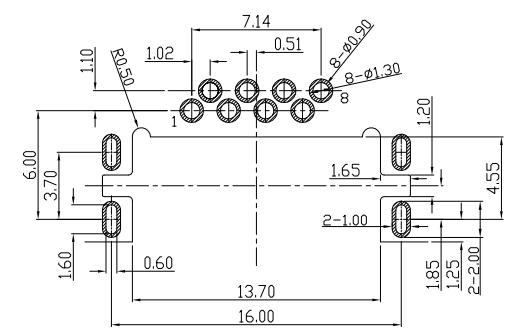
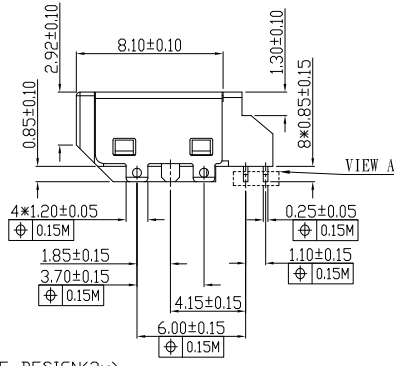
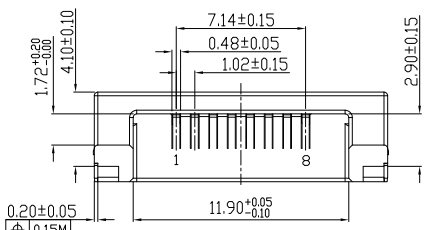
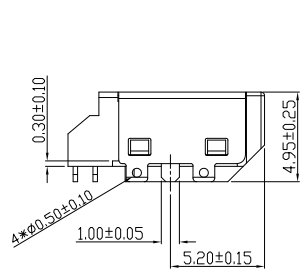
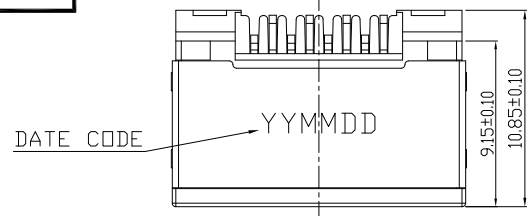


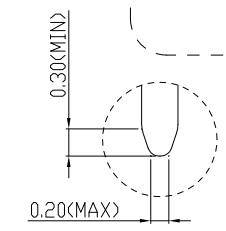
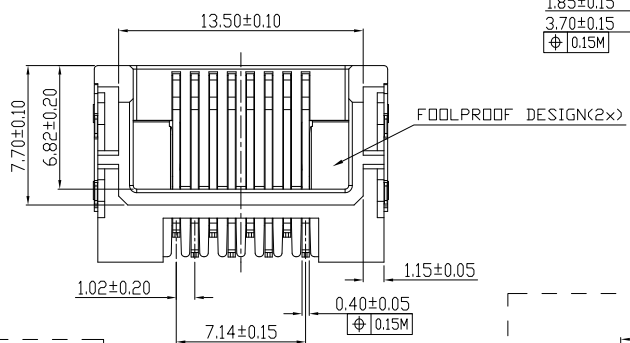
RoHS Compliant

Halogen Free

REV	DESCRIPTION	ECN/ECR	DATE	DRAWN BY
△△	新訂圖面	—	04/11/2017	唐忠洪
△△	修改材料	ECR	12/13/2017	唐忠洪



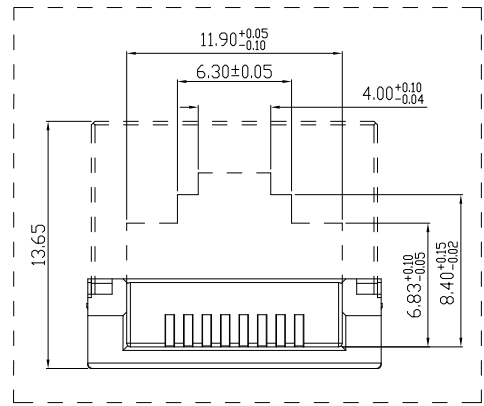
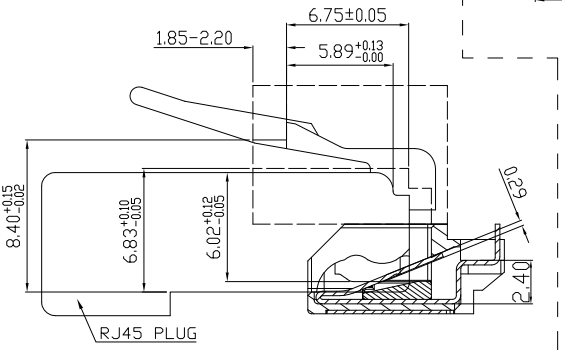
RECOMMENDED PCB LAYOUT
TOLERANCE: ±0.05mm



VIEW A SCALE 5:1

Part Number(客戶)	AU
2RJ1660-000111F	G/F

- NOTES:
- MATERIAL:
 - 1-1: HOUSING: PA10T+35%GF(VICNYL R635NH); UL 94V-0, COLOR: BLACK
 - 1-2: TERMINAL: PHOSPHOR BRONZE(C5210R-EH); T=0.25mm TREATMENT:
 - 1. GOLD(0.7-2 μ) ON CONTACT AREA, MATTE SN 80-160 μ MINON SOLDER TAIL, ALL OVER NI 30-100 μ .
 - 1-3: SHELL: SUS(201); T=0.20mm, TREATMENT: 30-100 μ NI
 - 1-4: DEFEND: LCP(E130D); UL 94V-0, COLOR: BLACK
 - SPECIFICATIONS:
 - 2-1. VOLTAGE RATING: 150VAC MAX.
 - 2-2. CURRENT RATING: 1.5AMP MAX.
 - 2-3. INSULATION RESISTANCE: 1000M Ω MIN. AT 500V DC.
 - 2-4. DIELECTRIC WITHSTANDING VOLTAGE: 1000V AC 60HZ 1MINUTE.
 - 2-5. DURABILITY: 5000 CYCLES.
 - 2-6. OPERATING TEMPERATURE: -30°C TO +70°C.
 - 2-7. FOR REFLOW SOLDERING LEAD-FREE PROCESS.



東莞世華電子有限公司
SHYH HWA ELECTRONICS CO.,LTD.(DONGGUAN)
地址: 東莞市塘廈鎮諸佛嶺178工業區
TEL:0769-87910020-1 FAX:0769-87910210

DRAWN BY	唐忠洪	ITEM	半截式 RJ45 PHONE JACK(板上4.1mm)
CHECKED BY		PART NO	CD4531062008-XX
APPROVED BY			

ANGLE PROJECTION	UNIT	mm
	SCALE	1:1
TOLERANCE	DATE	
.X±0.20 .XX±0.10		