

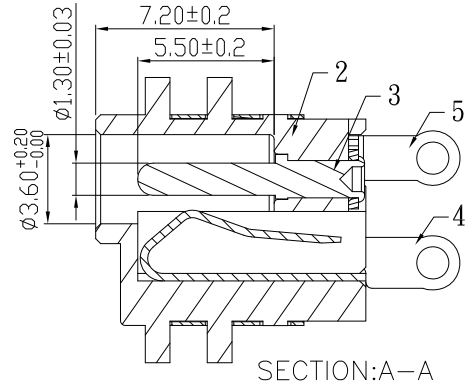
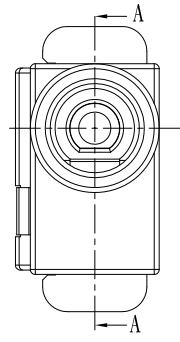
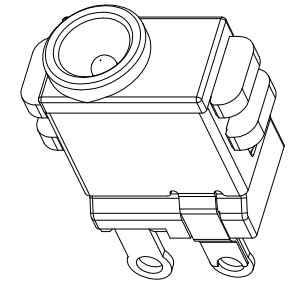
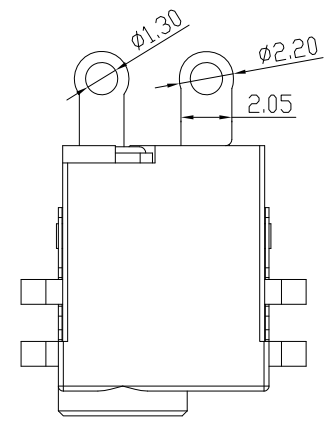
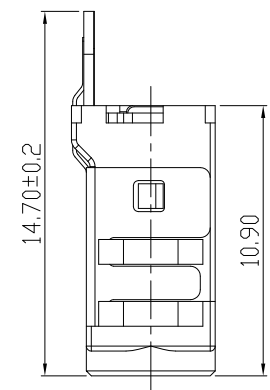
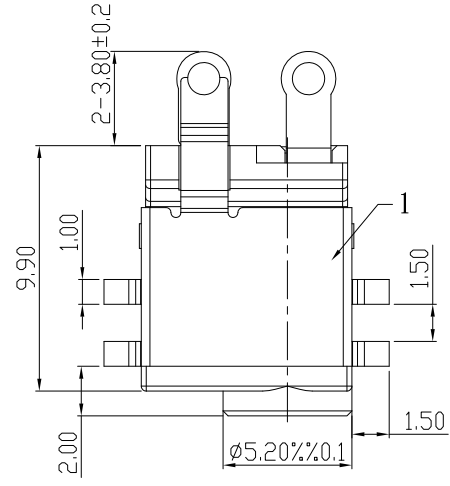
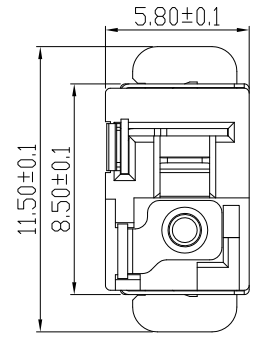
REV	DESCRIPTION	ECN/ECR	DATE	DRAWN BY
△A0	新訂圖面	—	04/07/2015	唐忠洪

SPECIFICATIONS:

1.ELECTRICAL SPEC:
 1-1.RATED CURRENT:5A
 1-2.RATED VOLTAGE:20V
 1-3.INSULATION RESISTANCE:100MΩ MIN.AFTER BY 500V DC FOR 1MINUTE
 1-4.DIELECTRIC WITHSTANDING VOLTAGE:500V AC FOR 1MINUTE
 1-5.CONTACT RESISTANCE:30mΩ MAX(AFTER LIFE CYCLE TEST)

2.MECHANICAL SPEC:
 2-1.INSERTION FORCE:0.50~2.5Kgf;
 AFTER LIFE TEST:0.50~2.5Kgf ;
 2-2.WITHDRAWAL FORCE:0.35~2.0Kgf ;
 AFTER LIFE TEST: 0.35~2.0Kgf ·

3.TEMPERATURE RISE CAN'T EXCEED 30°C MAX
 4.LIFE TEST(INSERTION/WITHDRAWAL):5000 CYCLES MIN



Build of material:

NO	DESCRIPTION	QTY	MATERIAL	FINISH(OR COLOR)
5	STATOR(+)	1	BRASS(C2680);T=0.40±0.03mm	30 μ"Ag ;NI 50μ" MIN
4	SPRING PIN(-)	1	PHOSPHOR BRONZE;T=0.30±0.03mm	30 μ"Ag ;NI 50μ" MIN
3	POWER PIN(+)	1	BRASS (C3604)	30 μ"Ag ;NI 50μ" MIN
2	HOUSING	1	PBT	BLACK
1	SHELL	1	SUS 201 T=0.15±0.02mm	30μ"Ni MIN

東莞世華電子有限公司
 SHYH HWA ELECTRONICS CO.,LTD.(DONGGUAN)
 地址:東莞市塘廈鎮諸佛嶺178工業區
 TEL:0769-7910020-1 FAX:0769-7910210

DRAWN BY 彭志婷
 CHECKED BY
 APPROVED BY

ITEM DC POWER JACK(8.50*5.80)
 PART NO CD0001042002
 TOLERANCE

ANGLE PROJECTION	UNIT	mm
	SCALE	1:1
.X±0.25 .XX±0.15	DATE	04/07/2015