

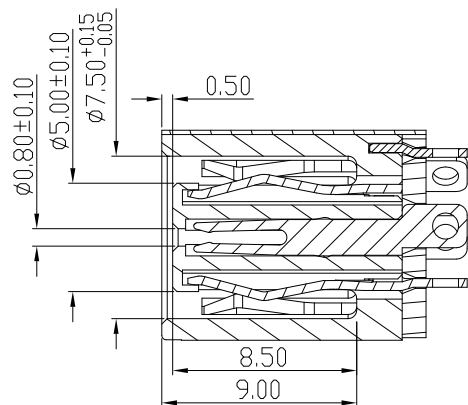
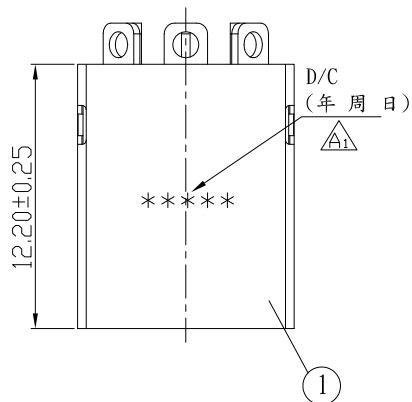
RoHS Compliant

Halogen Free

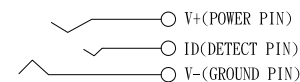
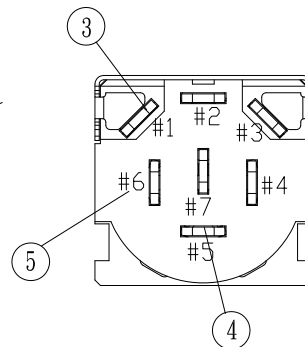
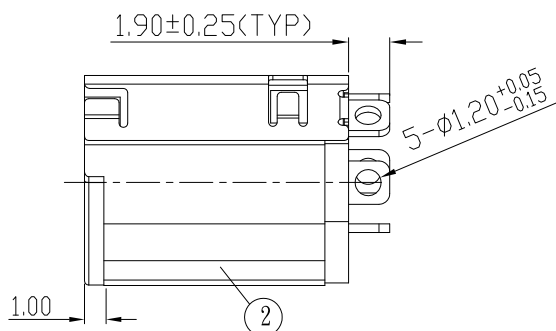
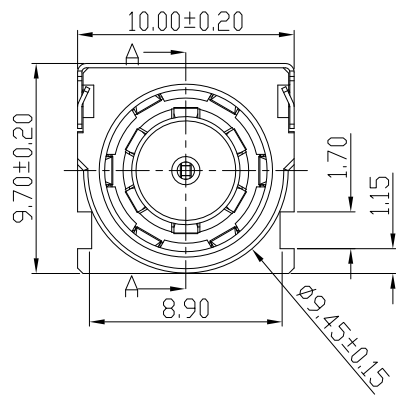
REV	DESCRIPTION	ECN/ECR	DATE	DRAWN BY
△0	新订图面	—	06/07/2018	鍾 杭
△1	修改图面去掉MIN JIN及增加字码说明	ECR	02/25/2019	左 胜 胜

NOTES:

- ELECTRICAL CHARACTERISTICS:
 - CONNECTOR RATED CURRENT:20A &30°C MAX ΔT OVER AMBIENT RATED VOLTAGE:20V DC
 - INSULATION RESISTANCE 100MOHMS MIN AT 500V DC AFTER 1 MINUTE
 - DIELECTRIC WITHSTAND VOLTAGE: 500V AC FOR 1 MINUTE,
 - CONTACT RESISTANCE:30 mOHMS MAX.
- MECHANICAL CHARACTERISTICS:
 - MATING FORCE:3.0Kgf MAX UNMATING FORCE:0.3 Kgf Min
 - DURABILITY(MATING/UNMATING FORCE CYCLES):5000 CYCLES
- OPERATING TEMPERATURE RANGE:-40°C~85°C
- REMARK:MOISTURE SENSITIVE DEVICE MSL6—AFTER PACKING BEEN OPENED 8 HOURS,PARTS MUST BE BAKED FOR MIN 5DAYS AT 40°C &<5% RH



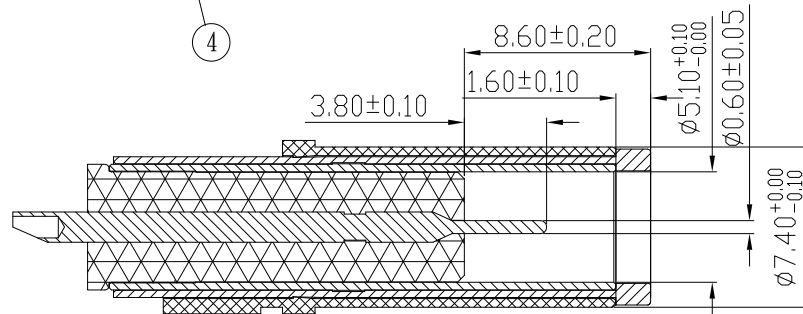
SECTION A-A



CIRCUIT DIAGRAM

△1 Date Code 碼說明, 例如:19091

星期一
第9周
2019年



MATING PLUG

Build of material:

NO	DESCRIPTION	QTY	MATERIAL	FINISH(OR COLOR)
5	DC JACK 焊線式 (20A)(10*9.7)-母端子#7	1	PHOSPHOR BRONZE(C5210R-H)T=0.40	G/F
5	DC JACK 焊線式 (20A)(10*9.7)-后塞	1	LCP(EI301)	BLACK
4	DC JACK 焊線式 (20A)(10*9.7)-內彈片#4#5#6	1	C7035;T=0.40	G/F
3	DC JACK 焊線式 (20A)(10*9.7)-外彈片#1#2#3	1	C7035;T=0.40	G/F
2	DC JACK 焊線式 (20A)(10*9.7)-膠體	1	LCP(EI301)	BLACK
1	DC JACK 焊線式(10*9.7)-外殼	1	SUS 201;T=0.20	50u"NI Min

東莞世華電子有限公司
SHYH HWA ELECTRONICS CO.,LTD.(DONGGUAN)
地址:東莞市塘廈鎮諸佛嶺178工業區
TEL:0769-7910020-1 FAX:0769-7910210

DRAWN BY	左 胜 胜	ITEM	DC JACK 焊線式 (20A)(10*9.7)
CHECKED BY		PART NO	CD4651072002
APPROVED BY		TOLERANCE	.X±0.30 .XX±0.20

DC JACK 焊線式 (20A)(10*9.7)

ANGLE PROJECTION	UNIT	mm
	SCALE	1:1
	DATE	02/25/2019