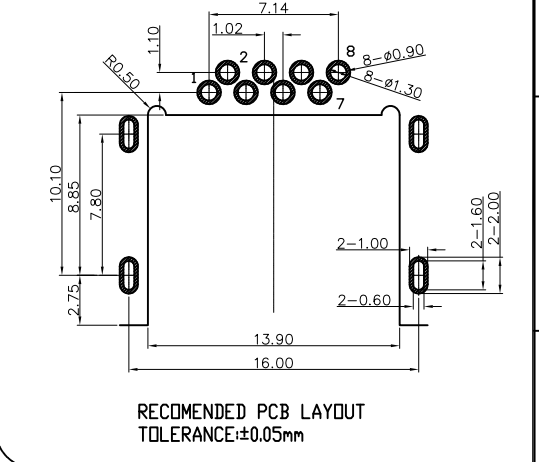
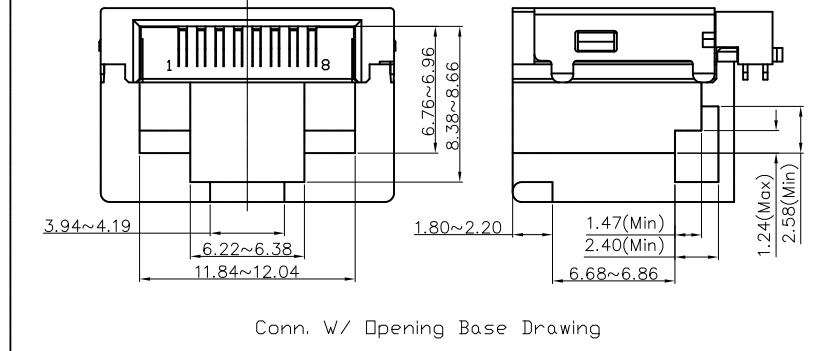
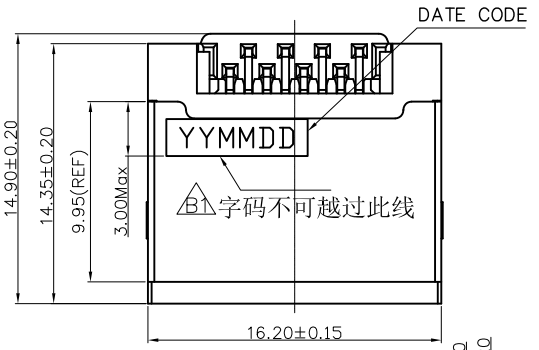


RoHS Compliant

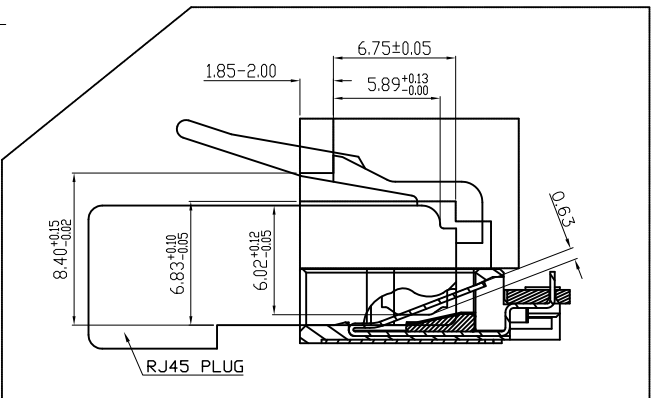
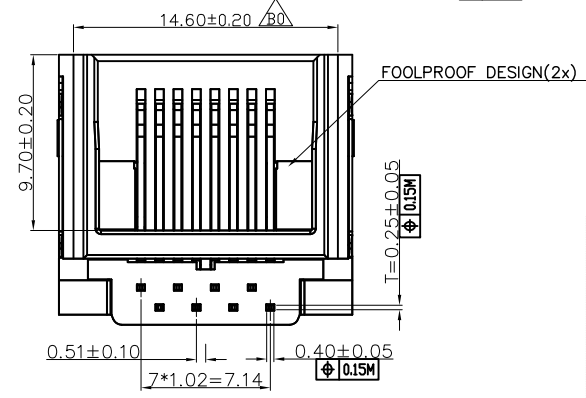
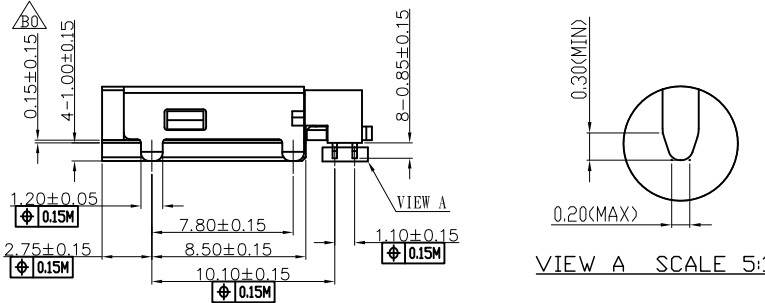
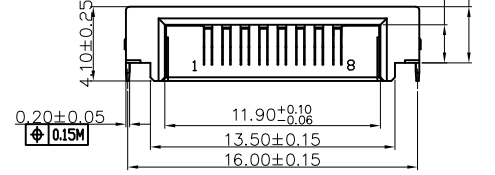
Halogen Free

REV	DESCRIPTION	ECN/ECR	DATE	DRAWN BY
△A	新訂圖面	—	10/30/2017	唐忠洪
△B0	工程变更,增加Stand Off	ECN	4/2/2019	左胜胜
△B1	修改字码位置及大小	ECR	4/9/2019	左胜胜



Part Number(客户)	AU
2RJ1754-003111F	G/F
2RJ1754-003211F	30u"

NOTES:
1.MATERIAL:
1-1:HOUSING:PA10T+35%GF(VICNYL R635NH);UL 94V-0, COLOR:BLACK
1-2:TERMINAL:PHOSPHOR BRONZE(C5210R-EH);T=0.25mm TREATMENT:
1.GOLD FLASH ON CONTACT AREA,MATTE SN 50u" MIN ON SOLDER TAIL,ALL OVER NI 50u" MIN.
2.GOLD 30u" MIN ON CONTACT AREA,MATTE SN 50u" MIN ON SOLDER TAIL,ALL OVER NI 50u" MIN.
1-3:SHELL:SUS(201);T=0.20mm,TREATMENT:50u" NI
1-4:DEFEND:LCP(E130D);UL 94V-0, COLOR:BLACK
1-5:CAP:LCP(E130D);UL 94V-0, COLOR:BLACK
2.SPECIFICATIONS:
2-1.VOLTAGE RATING:150VAC MAX.
2-2.CURRENT RATING:1.5AMP MAX.
2-3.INSULATION RESISTANCE:1000MΩ MIN. AT 500V DC.
2-4.DIELECTRIC WITHSTANDING VOLTAGE: 500V AC 60HZ 1MINUTE.
2-5.DURABILITY:5000 CYCLES.
2-6.OPERATING TEMPERATURE:-30°C TO+70°C.
2-7.FOR REFLOW SOLDERING LEAD-FREE PROCESS.



東莞世華電子有限公司
SHYH HWA ELECTRONICS CO.,LTD.(DONGGUAN)
地址:東莞市塘廈鎮諸佛嶺178工業區
TEL:0769-87910020-1 FAX:0769-87910210

DRAWN BY	左胜胜	ITEM	半截式 RJ45 PHONE JACK(板上3.10mm)
CHECKED BY		PART NO	CD4531062019-XX
APPROVED BY			

ANGLE PROJECTION	UNIT	mm
	SCALE	1:1
TOLERANCE	DATE	
.X±0.20 .XX±0.10		