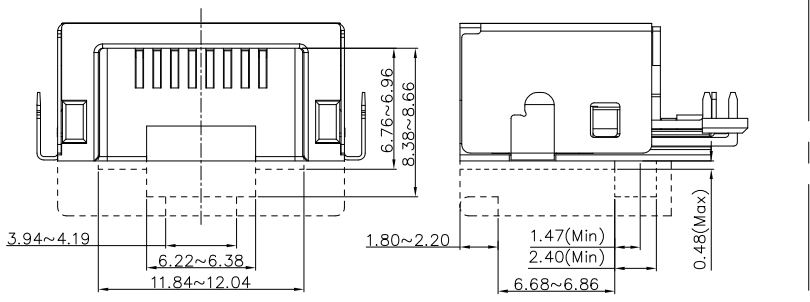
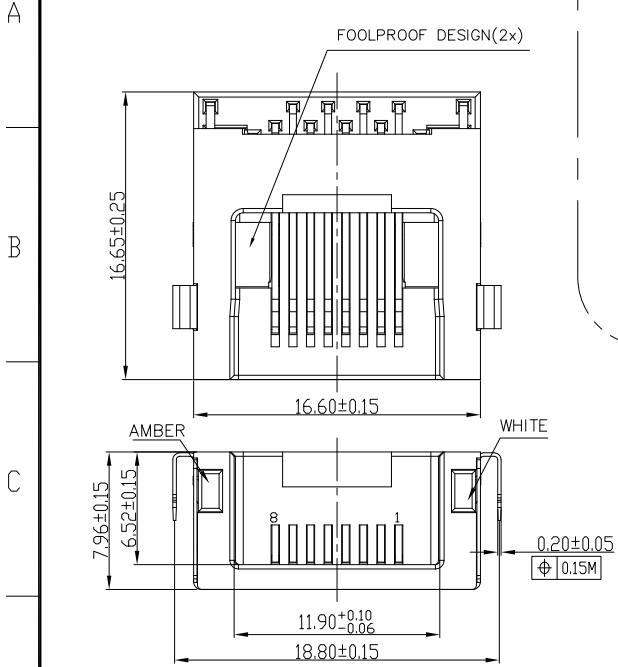


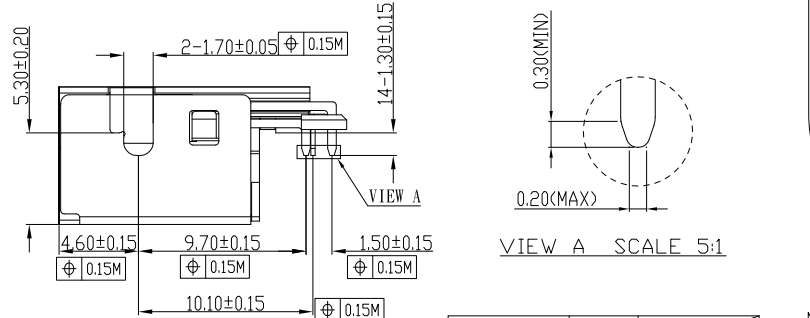
RoHS Compliant

Halogen Free

REV	DESCRIPTION	ECN/ECR	DATE	DRAWN BY
△△	修改結構	—	01/04/2018	王奔
△△	增加LED防呆	—	02/05/2018	王奔



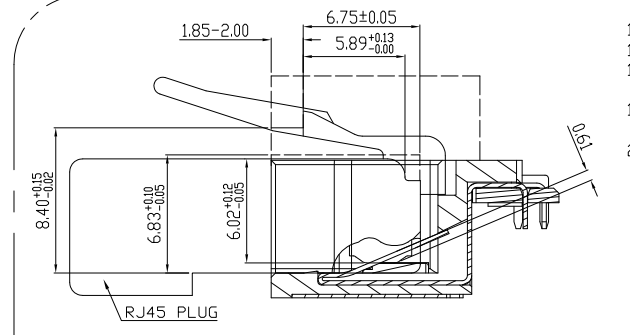
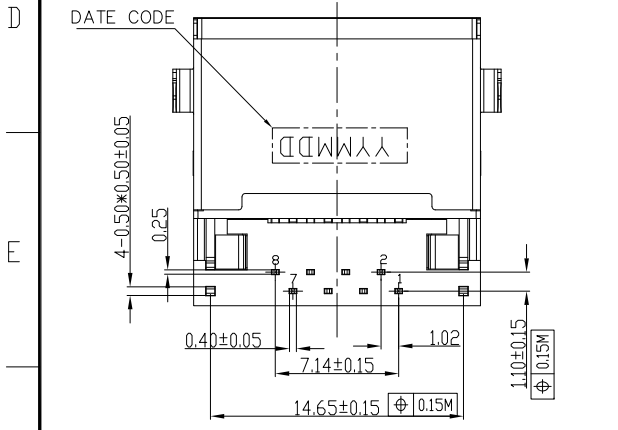
Conn. W/ Opening Base Drawing



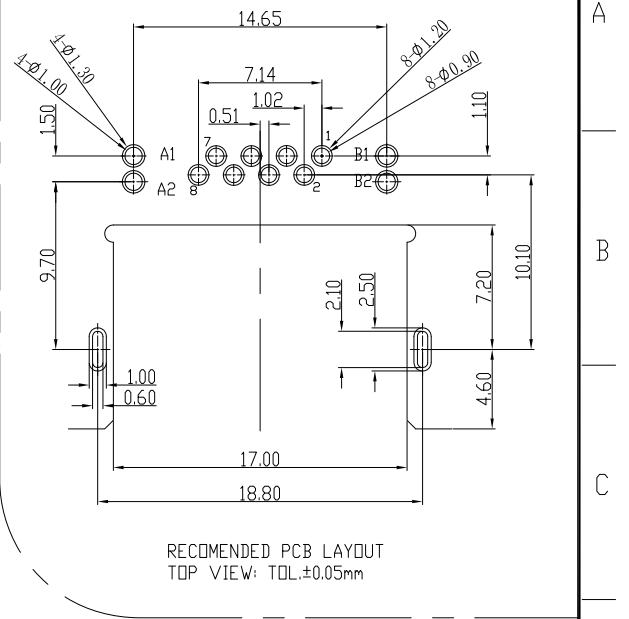
VIEW A SCALE 5:1

Part Number(信音)	AU
2RJ1792-001111F	1u"

NODE	COLOR	
A1(+)	A2(-)	AMBER
B1(+)	B2(-)	WHITE



RJ45 PLUG



RECOMENDED PCB LAYOUT
TOP VIEW: TOL:±0.05mm

NOTES:
 1.MATERIAL:
 1-1:HOUSING:PA10T+35%GF(VICINYL R635NH);UL 94V-0, COLOR:BLACK
 1-2:TERMINAL:PHOSPHOR BRONZE(C5210R-EH);T=0.25mm TREATMENT:
 1.GOLD 1u" MIN ON CONTACT AREA,MATTE SN 50u" MIN ON SOLDER TAIL,ALL OVER NI 50u" MIN.
 1-3:SHELL:SUS(201);T=0.20mm,TREATMENT:50u" NI MIN
 1-4:LED:AMBER/WHITE,TREATMENT:TIN
 1-5:DEFEND:LCP(E130I);UL 94V-0, COLOR:BLACK
 1-6:CAP:LCP(E130I);UL 94V-0, COLOR:BLACK
 2.SPECIFICATIONS:
 2-1.VOLTAGE RATING:150VAC MAX.
 2-2.CURRENT RATING:1.5AMP MAX.
 2-3.INSULATION RESISTANCE:500MΩ MIN. AT 500V DC.
 2-4.DIELECTRIC WITHSTANDING VOLTAGE: 500V AC 60HZ 1MINUTE.
 2-5.DURABILITY:5000 CYCLES.
 2-6.OPERATING TEMPERATURE:-30°C TO+70°C.
 2-7.FOR REFLOW SOLDERING LEAD-FREE PROCESS.

東莞世華電子有限公司
 SHYH HWA ELECTRONICS CO.,LTD.(DONGGUAN)
 地址:東莞市塘廈鎮諸佛嶺178工業區
 TEL:0769-87910020-1 FAX:0769-87910210

DRAWN BY	王奔	ITEM	半截式 RJ45 PHONE JACK(板上5.30mm)
CHECKED BY		PART NO	CD4531062020
APPROVED BY			

ANGLE PROJECTION	UNIT	mm
	SCALE	1:1
TOLERANCE	DATE	
.X±0.20 .XX±0.10		