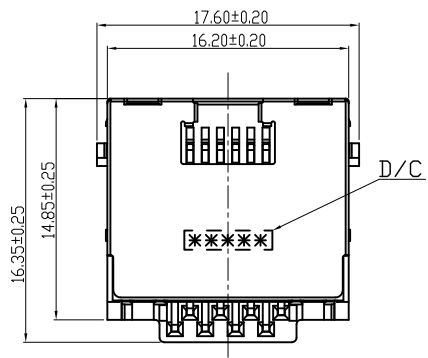
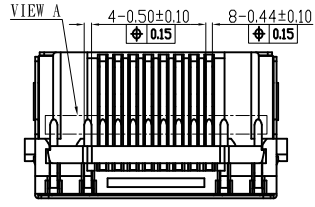
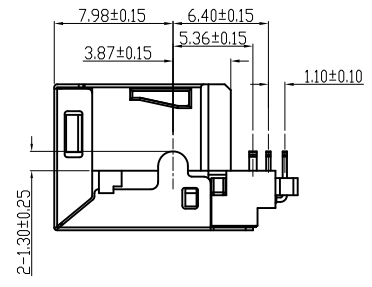
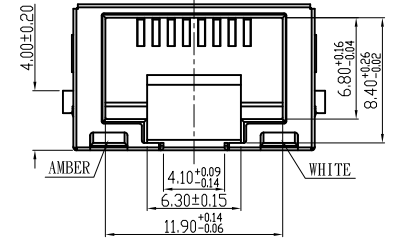
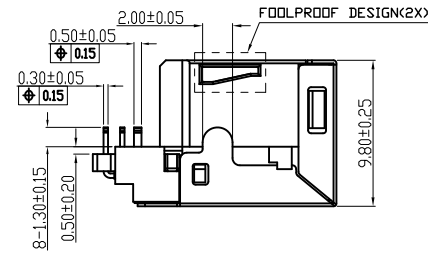
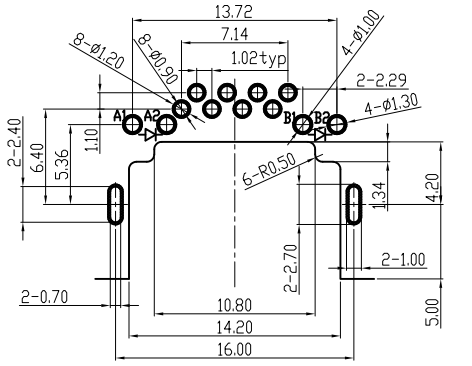
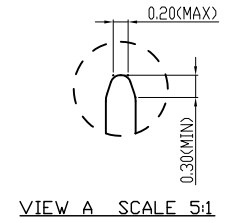
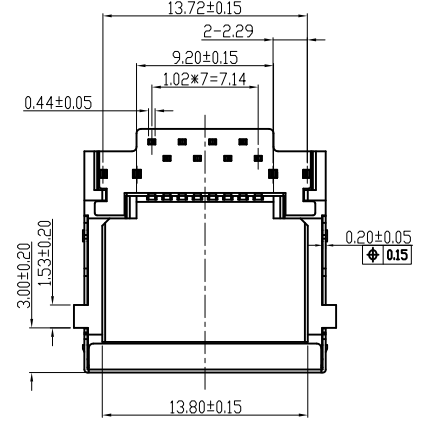


REV	DESCRIPTION	ECN/ECR	DATE	DRAWN BY
△△	新訂圖面	—	05/09/2018	鍾杭



D/C: 15023
 星期三
 第十周
 2015年

Part Number(凡準)	AU
RJN-038-1L12HG	G/F
RJN-038-1L12H6	30u"

TABLE:

30μ"	CD4521072005	-02	WHITE NI	YES
G/F		-01	WHITE NI	YES
AU PLATING	PART NUMBER-XX	SHELL PLATING		HF

LED ELECTRICAL CHARACTERISTIC

NODE	COLOR	WAVELENGTH	FORWARD CURRENT
A1(+)	A2(-)	WHITE	IF=20mA
B1(+)	B2(-)	AMBER	IF=20mA

NOTES:
 1.MATERIAL:
 1-1:HOUSING:PA10T+35%GF(VICNYL R635NH);UL 94V-0, COLOR:BLACK
 1-2:TERMINAL:PHOSPHOR BRONZE(C5210R-EH);T=0.30mm TREATMENT:
 1.GOLD FLASH ON CONTACT AREA,MATTE SN 50u" MIN ON SOLDER TAIL,ALL OVER NI 30u" MIN.
 2.GOLD 30u" MIN ON CONTACT AREA,MATTE SN 50u" MIN ON SOLDER TAIL,ALL OVER NI 30u" MIN.
 1-3:SHELL:SUS(201);T=0.20mm,TREATMENT:50u" NI
 1-4:LED:WHITE/AMBER,TREATMENT:TIN
 1-5:STOPPLE:LCP(E130D);UL 94V-0,COLOR:BLACK
 1-6:DEFEND :LCP(E130D);UL 94V-0,COLOR:BLACK
 1-6:MYLAR:YELLOW
 2.SPECIFICATIONS:
 2-1.VOLTAGE RATING:150VAC MAX.
 2-2.CURRENT RATING:1.5AMP MAX.
 2-3.INSULATION RESISTANCE:500MΩ MIN. AT 500V DC.
 2-4.DIELECTRIC WITHSTANDING VOLTAGE:
 500V AC 60HZ 1MINUTE.
 2-5.DURABILITY:5000 CYCLES.
 2-6.OPERATING TEMPERATURE:-30°C TO+70°C.
 2-7.FOR REFLOW SOLDERING LEAD-FREE PROCESS.

東莞世華電子有限公司
 SHYH HWA ELECTRONICS CO.,LTD.(DONGGUAN)
 地址:東莞市塘廈鎮諸佛嶺178工業區
 TEL:0769-87910020-1 FAX:0769-87910210

DRAWN BY	鍾杭	ITEM	MINI RJ45 PHONE JACK(板上4.0mm 三)+柵欄
CHECKED BY			452專用
APPROVED BY		PART NO	CD4521072005-XX

ANGLE PROJECTION	UNIT	mm
	SCALE	1:1
TOLERANCE	DATE	05/09/2018
.X±0.20 .XX±0.10		