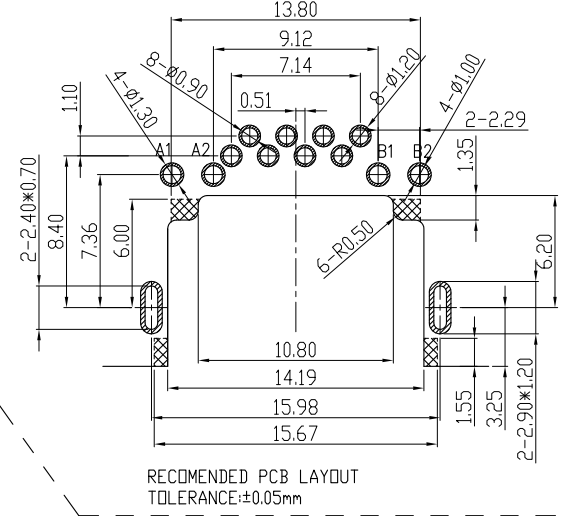
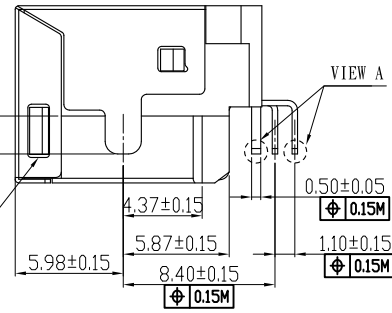
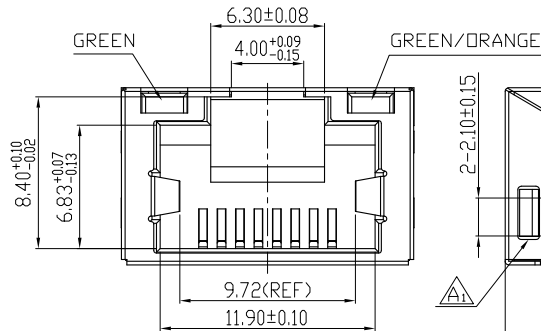
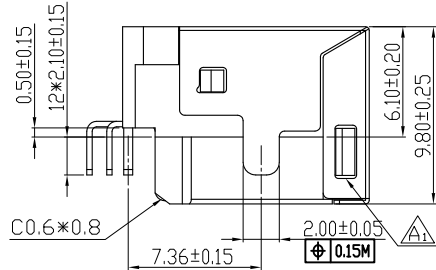
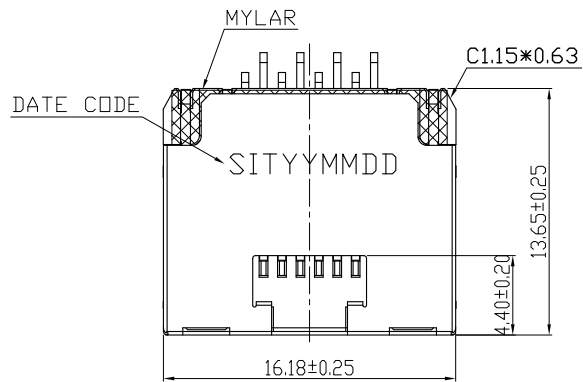
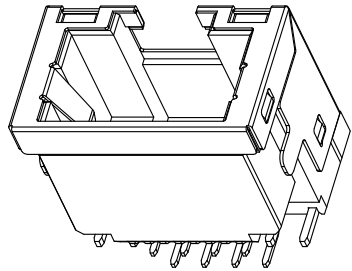


**RoHS Compliant**

**Halogen Free**



RECOMMENDED PCB LAYOUT  
TOLERANCE:±0.05mm

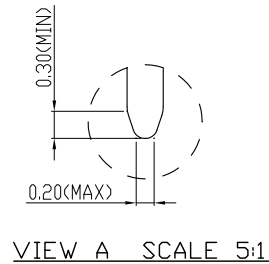
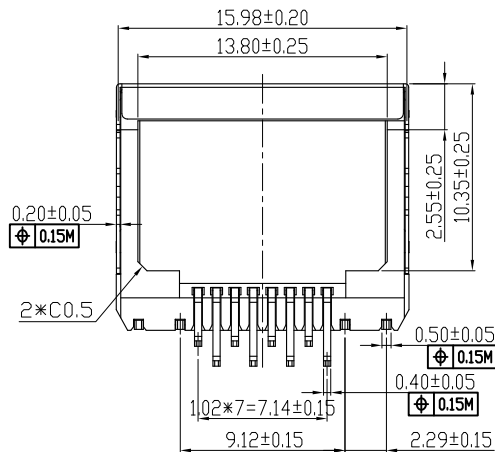
- NOTES:  
1.MATERIAL:  
1-1:HOUSING:PA10T+35%GF(VICNYL R635NH);UL 94V-0, COLOR:BLACK  
1-2:TERMINAL:PHOSPHOR BRONZE(C5210R-EH);T=0.30mm  
TREATMENT:  
1.GOLD FLASH ON CONTACT AREA,MATTE SN 50u" MIN ON SOLDER TAIL,ALL OVER NI 30u" MIN.  
2.GOLD 30u" MIN ON CONTACT AREA,MATTE SN 50u" MIN ON SOLDER TAIL,ALL OVER NI 30u" MIN.  
1-3:SHELL:SUS(201);T=0.25mm,TREATMENT:50u" NI  
1-4:LED:GREEN/GREEN(ORANGE),TREATMENT:TIN  
1-5:MYLAR:YELLOW  
2.SPECIFICATIONS:  
2-1.VOLTAGE RATING:150VAC MAX.  
2-2.CURRENT RATING:1.5AMP MAX.  
2-3.INSULATION RESISTANCE:500MΩ MIN. AT 500V DC.  
2-4.DIELECTRIC WITHSTANDING VOLTAGE: 500V AC 60HZ 1MINUTE.  
2-5.DURABILITY:5000 CYCLES.  
2-6.OPERATING TEMPERATURE:-30°C TO+70°C.  
2-7.FOR REFLOW SOLDERING LEAD-FREE PROCESS.

TABLE:

30μ	CD4531062005	-02
G/F	CD4531062005	-01
AU PLATING	PART NUMBER	-XX

Part Number(客戶)	AU
2RJ1655-010111F	G/F
2RJ1655-010211F	30U"

LED ELECTRICAL CHARACTERISTIC		
NODE	COLOR	
B2(-) B1(+)	GREEN	B1  B2
B1(-) B2(+)	ORANGE	B1 B2
A1(-) A2(+)	GREEN	A1  A2



VIEW A SCALE 5:1

**東莞世華電子有限公司**  
SHYH HWA ELECTRONICS CO.,LTD.(DONGGUAN)  
地址:東莞市塘廈鎮諸佛嶺178工業區  
TEL:0769-87910020-1 FAX:0769-87910210

DRAWN BY 鐘 杭  
CHECKED BY  
APPROVED BY

ITEM MINI RJ45 PHONE JACK(板上6.10mm)  
(雙色LED)  
PART NO CD4531062005-XX

ANGLE PROJECTION UNIT mm  
SCALE 1:1  
TOLERANCE .X±0.2  
.XX±0.10  
DATE