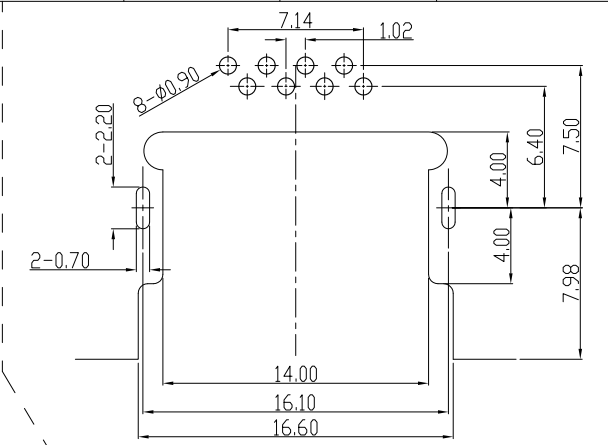
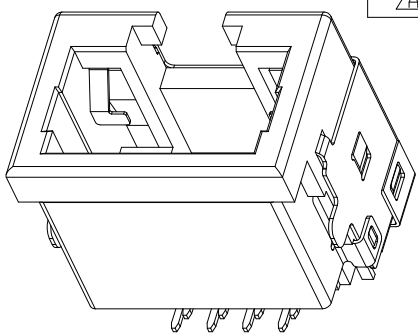
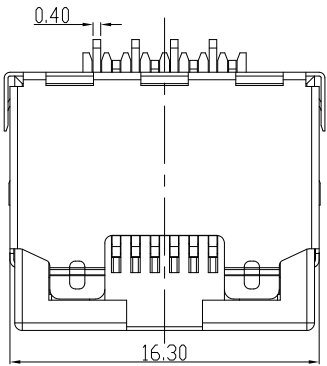
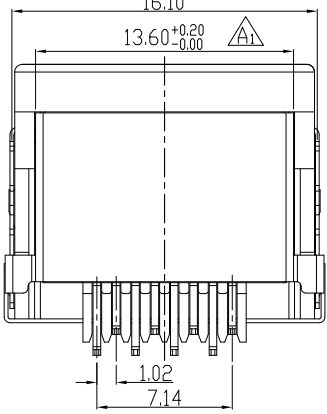
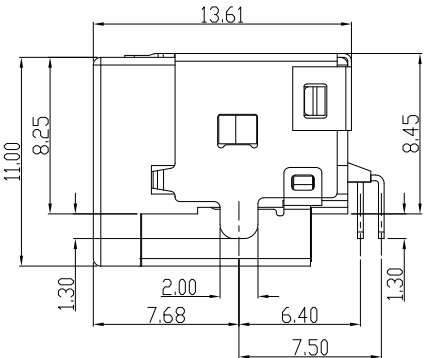
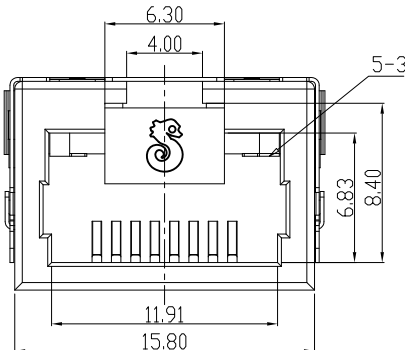


REV	DESCRIPTION	ECN/ECR	DATE	DRAWN BY
△A1	修訂規格	ECR	04/19/2013	黃志強



RECOMMENDED PCB LAYOUT TOLERANCE:±0.05mm
RECOMMENDED PCB THICKNESS:1.20±0.05

- NOTES:
- MATERIAL:
 - HOUSING:PA9T, FILLED,UL94V-0 RATED OR OTHER HIGH PERFORMANCE RESINS.
 - TERMINAL:PHOSPHOR BRONZE,T=0.30mm
 - SHELL:SUS.T=0.20mm
 - BOTTOM SHELL:SUS.T=0.20mm
 - STATOR:SUS.T=0.15mm
 - FINISH:
 - CONTACT:GOLD PLATING ON THE CONTACT AREA. SHELL:COPPER ALLOY WHITE NICKEL
 - ELECTRICAL CHARACTERISTICS:
 - CURRENT RATING:1.5A MAX.
 - VOLTAGE RATING:150V MAX.
 - INSULATION RESISTANCE:1000MΩ MIN.AT 500V DC.
 - DIELECTRIC WITHSTANDING VOLTAGE: 500V AC 60HZ 1MINUTE.
 - PCB TOLERANCES:DIMENSION±0.05
 - MECHANICAL CHARACTERISTICS:
 - MATING FORCE:2.3kgf MAX.
 - UNMATING FORCES:5.0kgf MIN
 - KEEP OUT FEATURE OF MODEM PIUG :8.0kgf MIN
 - OPERATING TEMPERATURE:-30*TD +85*



Part Number(客戶)	AU
2RJ1661-000111F	G/F
2RJ1661-000211F	30U"

TABLE:

30μ	CD4531012008	-02	WIHTE NI	YES
G/F	CD4531012008	-01	WIHTE NI	YES
AU PLATING	PART NUMBER-XX		SHELL PLATING	HF

東莞世華電子有限公司
SHYH HWA ELECTRONICS CO.,LTD.(DONGGUAN)
地址:東莞市塘廈鎮諸佛嶺178工業區
TEL:0769-87910020-1 FAX:0769-87910210

DRAWN BY 黃志強
CHECKED BY
APPROVED BY

ITEM RJ45 PHONE JACK(板上8.45mm)
PART NO CD4531012008-XX

ANGLE PROJECTION
UNIT mm
SCALE 1:1
TOLERANCE .X±0.30 .XX±0.20
DATE 04/19/2013