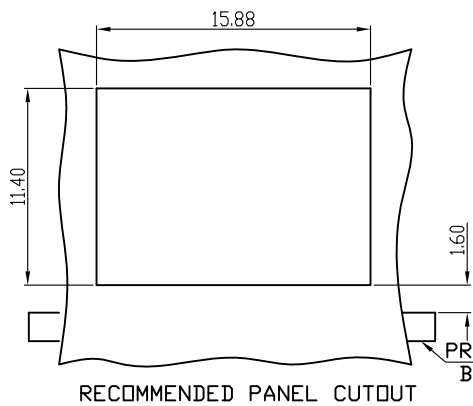
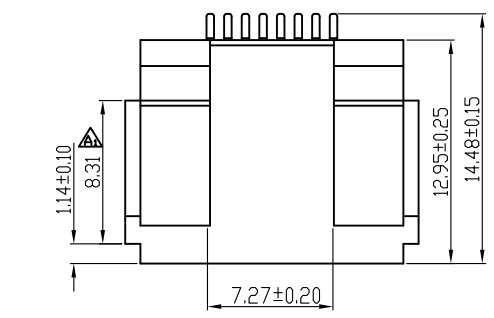


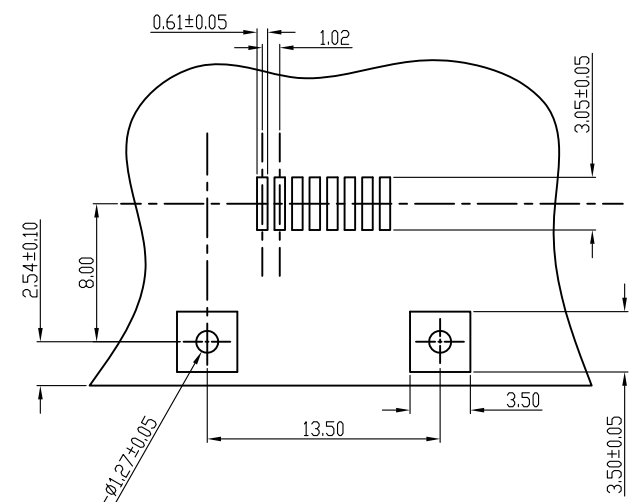
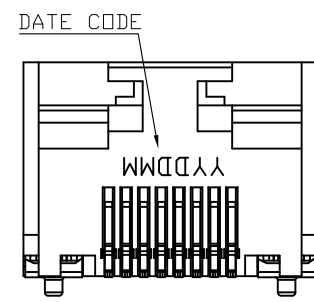
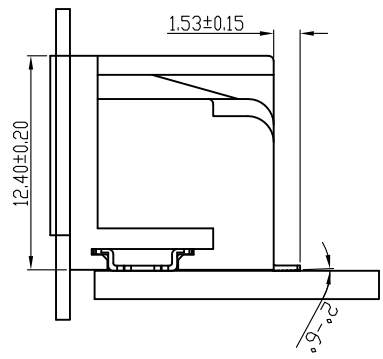
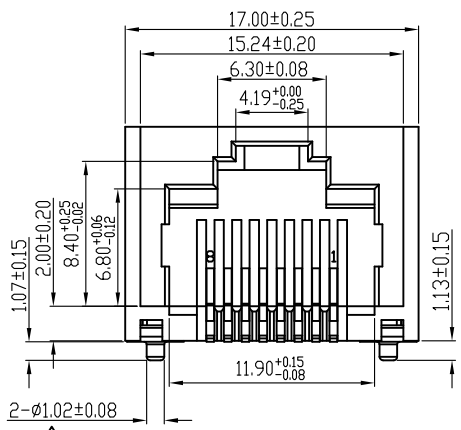
REV	DESCRIPTION	ECN/ECR	DATE	DRAWN BY
△△	新訂圖面	—	01/18/2014	陳俊武
△△	加標尺寸	ECR	03/10/2015	彭志婷
△△	加標尺寸	ECR	03/15/2016	鐘 杭

A
B
C
D
E
F

A
B
C
D
E
F



PRINTED CIRCUIT BOARD



- NOTES:
- MATERIAL:
 - 1-1: HOUSING: PA10T+30%GF(VICNGL R630NH)UL 94V-0; COLOR: BLACK
 - 1-2: TERMINAL: PHOSPHOR BRONZE(C5210R-EH); T=0.30mm TREATMENT: GOLD 30u' MIN ON CONTACT AREA, MATTE SN 50u' MIN ON SOLDER TAIL, ALL OVER NI 30u' MIN.
 - 1-3: BOARD LOCK: BRASS(C2680R-H), T=0.30mm. TREATMENT: 50u' MATTE TIN
 - ELECTRICAL CHARACTERISTICS
 - 2-1. CURRENT RATING: 1.5A MAX.
 - 2-2. VOLTAGE RATING: 150V MAX.
 - 2-3. INSULATION RESISTANCE: 500MΩ MIN.
 - 2-4. DIELECTRIC WITHSTANDING VOLTAGE: 500V CONTACT TO CONTACT

Part Number(客戶)	AU
2RJ1706-000111F	30u"

東莞世華電子有限公司
SHYH HWA ELECTRONICS CO., LTD.(DONGGUAN)
地址: 東莞市塘廈鎮諸佛嶺178工業區
TEL: 0769-87910020-1 FAX: 0769-87910210

DRAWN BY	鐘 杭	ITEM	MINI RJ45 PHONE JACK(貼板式)	
CHECKED BY				
APPROVED BY		PART NO	CD4531032002	TOLERANCE

ANGLE PROJECTION	UNIT	mm
	SCALE	1:1
.XX±0.25	DATE	

1 2 3 4 5 6 7 8