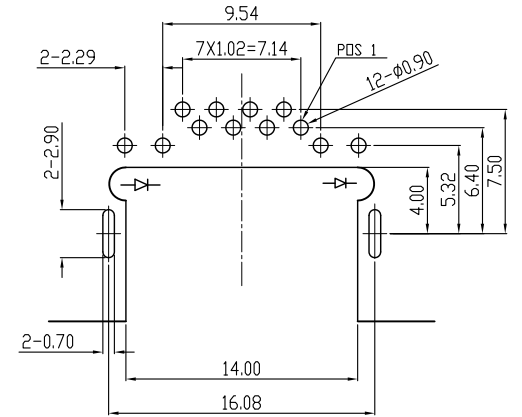
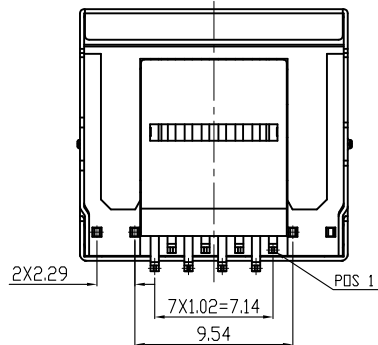
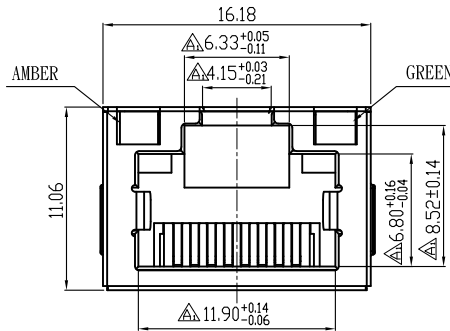
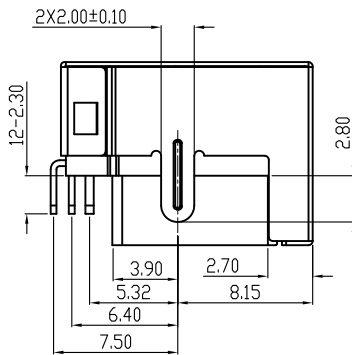
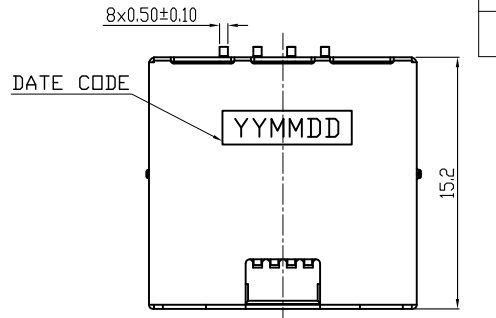
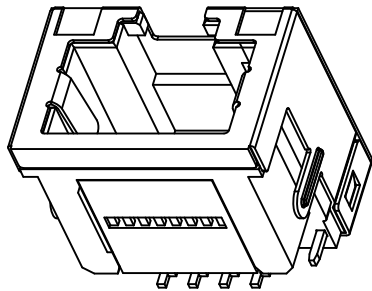


| REV | DESCRIPTION | ECN/ECR | DATE       | DRAWN BY |
|-----|-------------|---------|------------|----------|
| △△  | 新訂圖面        | —       | 08/21/2013 | 胡久量      |
| △△  | 修改圖面公差      | ECR     | 02/11/2014 | 邵開強      |



PCB LAYOUT

NOTES:  
1.UNSPECIFIED TOLERANCE:XX±0.05mm;T=1.70mm  
.X±0.10mm

NOTES:

1.ELECTRICAL CHARACTERISTICS:  
1-1.CURRENT RATING:1.5A MAX.  
1-2.VOLTAGE RATING:150V MAX.  
1-3.INSULATION RESISTANCE:200MΩ MIN.  
1-4.DIELECTRIC WITHSTANDING VOLTAGE:800V CONTACT TO CONTACT.  
1-5.LED'S CHARACTERISTICS:  
1-5-1.POWR DISSIPATION:80mW MAX.  
1-5-2.FORWARD CURRENT:30mA MAX.  
1-5-3.FORWARD VOLTAGE;2.2V TYPICAL.  
1-5-4.REVERSE VOLTAGE;5.0V MAX.

2.MECHANICAC CHARACTERISTICS:  
2-1.MATING FORCES:  
5 POUNDS MAX. WITH LATCH DEPRESSED.  
2-2.UNMATING FORCES:  
10 POUNDS MAX. WITH LATCH DEPRESSED AT AN ADVANTAGEDUS ANGLE.  
2-3.OPERATING TEMPERATURE:-30° TO +70°  
2-4.THRUST:2.3KG BELOW UNDER.  
2-5.THE FATAL THREAD TESTBOARD:2000 NEXT.  
3.KEEP OUT FEATURE OF M00EM PLUG ;4.0kgf MIN  
4.ENVIRONMENTAL PROTECTION:ROHS2.0.

| 項次 | 名稱                               | 數量 | 材質                          | 電鍍(或顏色)  |
|----|----------------------------------|----|-----------------------------|----------|
| 7  | RJ45 PHONE JACK(破板式6.86mm)-LED   | 1  | —                           | GREEN    |
| 6  | —                                | 1  | —                           | AMBER    |
| 5  | RJ45 PHONE JACK(1770949-1)-LED墊墊 | 2  | THERMOPLASTIC(無曲):UL 94 V-0 | BLACK    |
| 4  | RJ45 PHONE JACK(破板式6.86mm)-外殼    | 1  | BRASS:T=0.25                | NI       |
| 3  | RJ45 PHONE JACK(1770949-1)-端子    | 8  | PHOSPHOR BRONZE:T=0.35      | GOLD/TIN |
| 2  | RJ45 PHONE JACK(1770949-1)-端子座   | 1  | THERMOPLASTIC(無曲):UL 94 V-0 | BLACK    |
| 1  | RJ45 PHONE JACK(1770949-1)-膠殼    | 1  | THERMOPLASTIC(無曲):UL 94 V-0 | BLACK    |

**東莞世華電子有限公司**  
SHYH HWA ELECTRONICS CO.,LTD.(DONGGUAN)  
地址:東莞市塘廈鎮諸佛嶺178工業區  
TEL:0769-87910020-1 FAX:0769-87910210

|             |     |           |                            |                  |            |     |
|-------------|-----|-----------|----------------------------|------------------|------------|-----|
| DRAWN BY    | 邵開強 | ITEM      | RJ45 PHONE JACK(破板式6.86mm) | ANGLE PROJECTION | UNIT       | mm  |
| CHECKED BY  |     | PART NO   | CD4511022001               |                  | SCALE      | 1:1 |
| APPROVED BY |     | TOLERANCE | .X±0.35<br>.XX±0.25        | DATE             | 02/11/2014 |     |