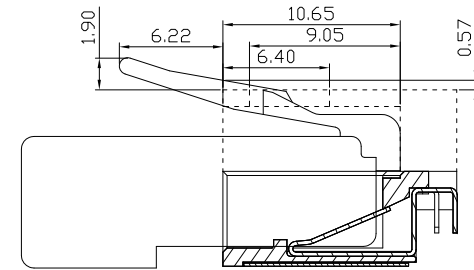
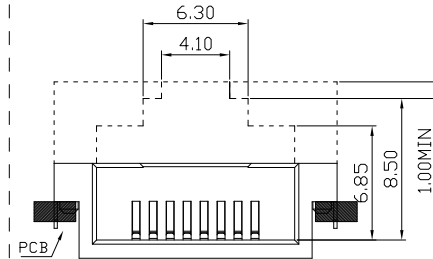
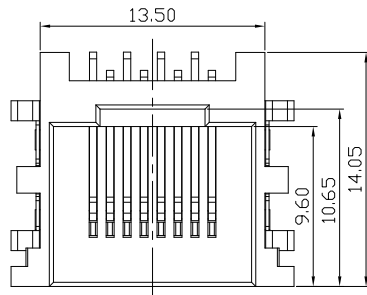
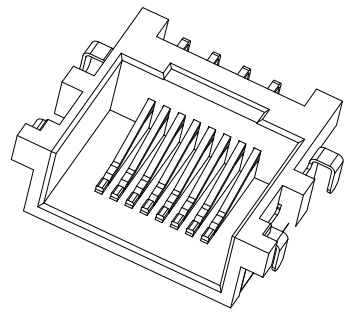
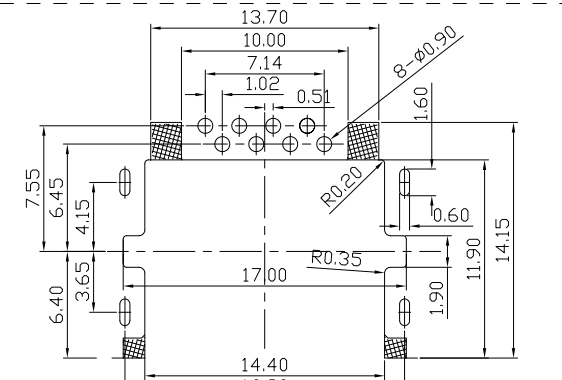
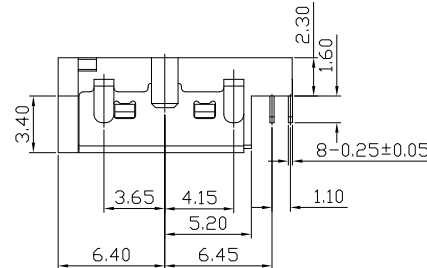
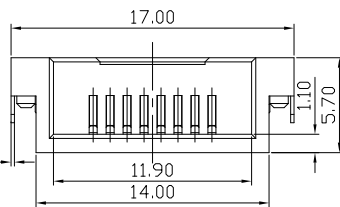
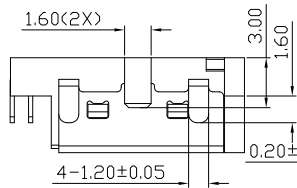


REV	DESCRIPTION	ECN/ECR	DATE	DRAWN BY
△	新訂圖面	—	03/09/2013	黃志強



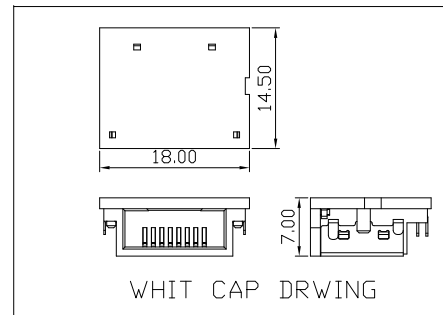
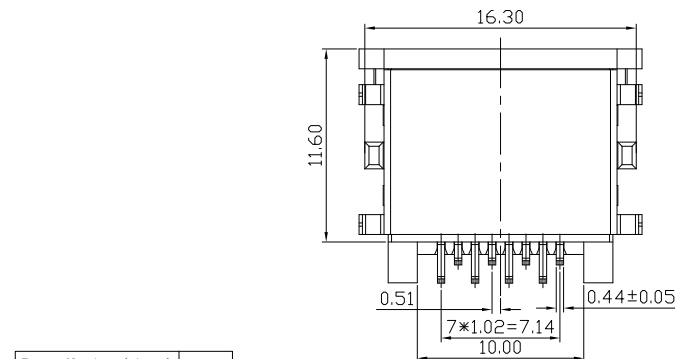
Conn. W/ Opening Base Drawing

Conn. W/ Opening Base W/Plug Section Drawing



RECOMMENDED PCB LAYOUT  
TOLERANCE:±0.05mm  
RECOMMENDED PCB THICKNESS:1.60±0.05

- NOTES:
- MATERIAL:
    - 1.1 HOUSING:PA9T,UL94V-0 COLOR:BLACK
    - 1.2 TERMINAL:PHOSPHOR BRONZE,T=0.30mm
    - 1.3 SHELL:SUS.T=0.20mm
    - 1.4 CAP:HIGH-TEMP.THERMOPLASTIC,UL94V-0 COLOR:BLACK
  - FINISH:
    - CONTACT:GOLD PLATING IN THE CONTACT AREA,AND SELECTIVE PLATING IN THE SOLDER TAIL AREA, WITH 50\*(MIN)NICKEL UNDERPLATING OVERALL.
    - SHELL: COPPER ALLOY WITH NICKEL OR NI/P.
  - PCB TOLERANCES: DIMENSION±0.05
  - SPECIFICATION:
    - CURRENT RATING:1.5A MAX.
    - VOLTAGE RATING:150V MAX.
    - DIELECTRIC STRENGTH: 1000VAC FOR ONE MINUTE
    - INSULATOR RESISTANCE:100MΩ MIN.AT 500VDC
    - DURABILITY:5000 CYCLES.
    - OPERATING TEMPERATURE:-30°~+85°



Part Number(客戶)	AU
2RJ1670-100111F	G/F
2RJ1670-100211F	30U"

30μ	CD4531022001	-02	WHITE	NI	YES
G/F	CD4531022001	-01	WHITE	NI	YES
AU PLATING	PART NUMBER-XX		SHELL PLATING	HF	

 東莞世華電子有限公司 SHYH HWA ELECTRONICS CO.,LTD.(DONGGUAN) 地址:東莞市塘廈鎮諸佛嶺178工業區 TEL:0769-87910020-1 FAX:0769-87910210	DRAWN BY	黃志強	ITEM	半截式RJ45 PHONE JACK (板上2.30mm)		ANGLE PROJECTION	UNIT	mm
	CHECKED BY						SCALE	1:1
	APPROVED BY		PART NO	CD4531022001-XX	TOLERANCE	.X±0.30 .XX±0.20	DATE	03/09/2013