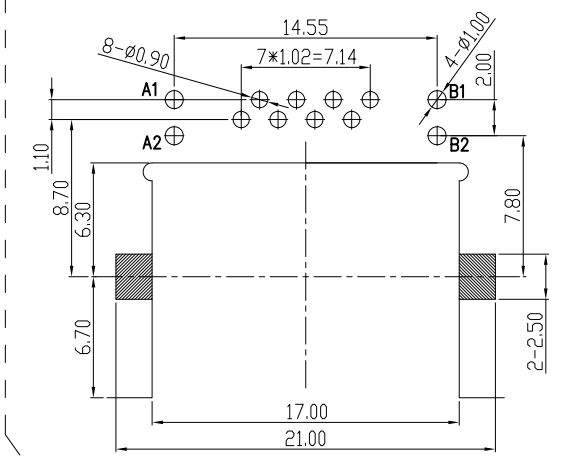
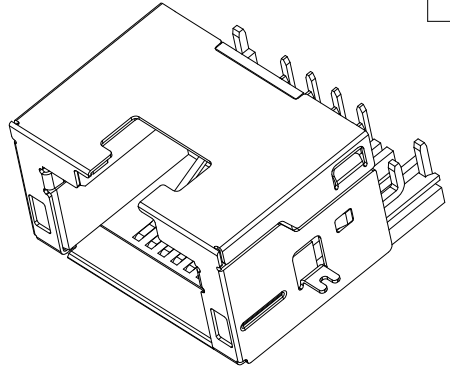
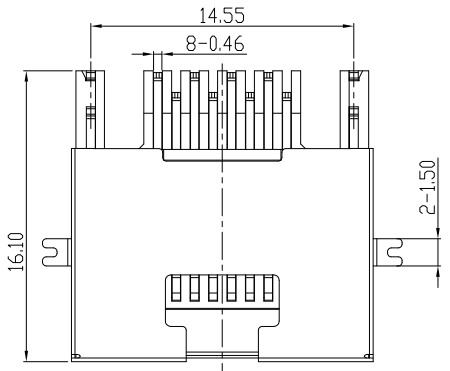
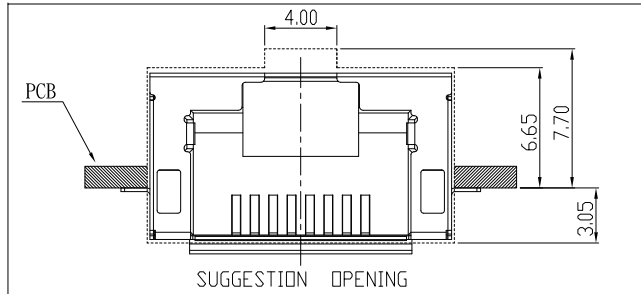
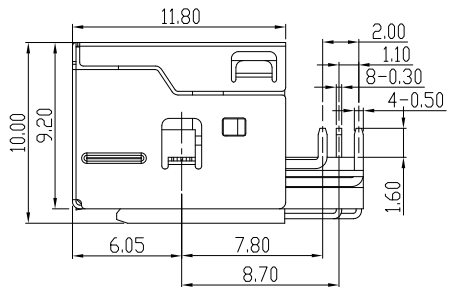
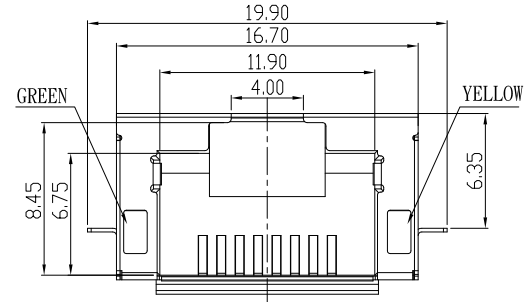


REV	DESCRIPTION	ECN/ECR	DATE	DRAWN BY
△A	新訂圖面		11/06/2013	黃志強



RECOMMENDED PCB LAYOUT  
 TOLERANCE:±0.05mm  
 RECOMMENDED PCB THICKNESS:1.20±0.05

- NOTES:
- MATERIAL:
    - HOUSING:PA9T(GP2450);UL 94V-0, COLOR:BLACK
    - TERMINAL:PHOSPHOR BRONZE(C5210R);T=0.30±0.05mm TREATMENT:1u"G/50u"MATTE TIN OR 5u"G/50u"MATTE TIN
    - SHELL:SUS(201);T=0.20±0.05mm, TREATMENT:BLACK NI 50u" MIN
    - LED:YELLOW/GREEN,TREATMENT:100u" MIN MATTE TIN ON ALL
    - SHRAPNEL:SUS;T=0.20±0.05mm,
  - ELECTRICAL CHARACTERISTICS:
    - CURRENT RATING:1.5A MAX.
    - VOLTAGE RATING:150V MAX.
    - INSULATION RESISTANCE:500MΩ MIN.AT 500V DC.
    - DIELECTRIC WITHSTANDING VOLTAGE: 100V AC 60HZ 1MINUTE.
    - DURABILITY:5000 CYCLES.
  - MECHANICAL CHARACTERISTICS:
    - MATING FORCE:2.3kgf MAX.
    - UNMATING FORCE:4.53kgf MIN
    - OPERATING TEMPERATURE:-40°TD +85°
  - MATES WITH MODULAR PLUG CONFORMING TO FCC PART68,SUBPART F.



LED ELECTRICAL CHARACTERISTIC			
NODE	COLOR		
A1(+)	A2(-)	YELLOW	A1 → A2
B1(+)	B2(-)	GREEN	B1 → B2

Part Number(客戶)	AU	SHELL PLATING
2RJ1000-020111F	G/F	BLACK NI
2RJ1000-020211F	5U"	BLACK NI

**東莞世華電子有限公司**  
 SHYH HWA ELECTRONICS CO.,LTD.(DONGGUAN)  
 地址:東莞市塘廈鎮諸佛嶺178工業區  
 TEL:0769-87910020-1 FAX:0769-87910210

DRAWN BY	黃志強	ITEM	MINI RJ45 PHONE JACK(H=9.20mm)
CHECKED BY			
APPROVED BY		PART NO	CD4531022006-XX

ANGLE PROJECTION	UNIT	mm
	SCALE	1:1
TOLERANCE	DATE	11/06/2013
.X±0.30 .XX±0.20		