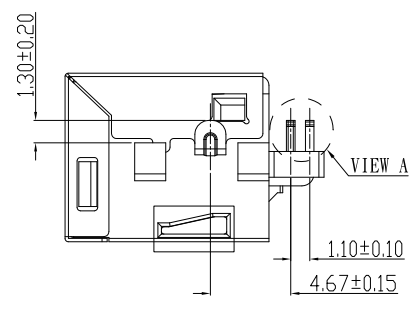
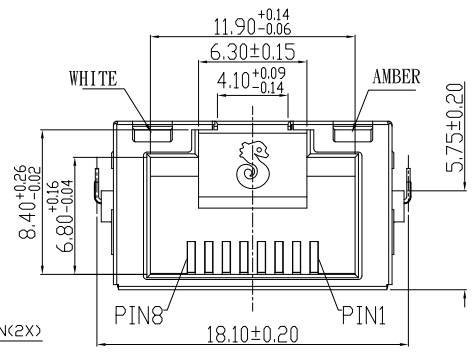
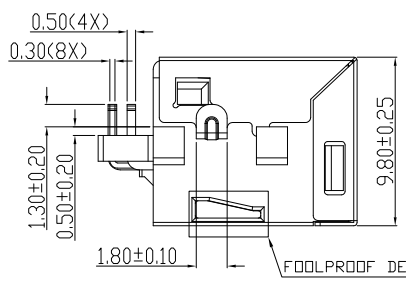
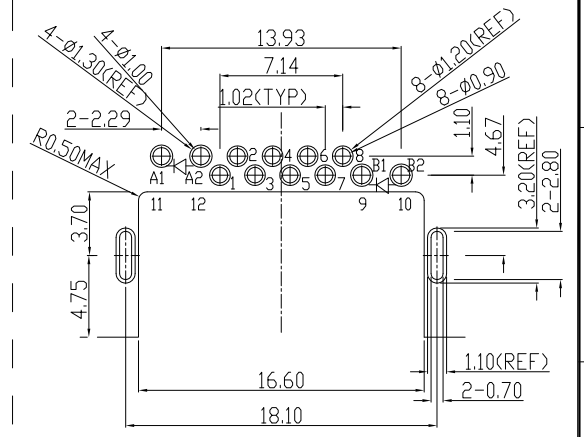
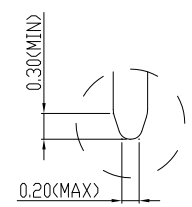
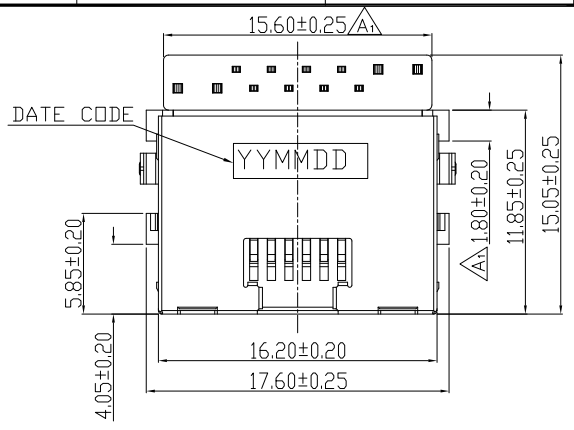


REV	DESCRIPTION	ECN/ECR	DATE	DRAWN BY
△△	新訂圖面	—	06/18/2015	胡久量
△△	改善刮PLUG及增加尺寸	ECR	12/29/2016	彭志婷



NOTES:
1.MATERIAL:
1-1:HOUSING:PA10T+35%GF<VICNYL R635NH>;UL 94V-0, COLOR:BLACK
1-2:TERMINAL:PHOSPHOR BRONZE(C5210R-EH);T=0.30mm TREATMENT:
1.GOLD FLASH ON CONTACT AREA,MATTE SN 80u" MIN ON SOLDER TAIL,ALL OVER NI 30u" MIN.
2.GOLD 30u" MIN ON CONTACT AREA,MATTE SN 80u" MIN ON SOLDER TAIL,ALL OVER NI 30u" MIN.
1-3:SHELL:SUS(201);T=0.20mm,TREATMENT:50u" NI
1-4:LED:WHITE/AMBER,TREATMENT:TIN
1-5:STOPPLE:LCP(E6808);UL 94V-0, COLOR:BLACK
2.SPECIFICATIONS:
2-1.VOLTAGE RATING:150VAC MAX.
2-2.CURRENT RATING:1.5AMP MAX.
2-3.INSULATION RESISTANCE:500MΩ MIN. AT 500V DC.
2-4.DIELECTRIC WITHSTANDING VOLTAGE:
500V AC 60HZ 1MINUTE.
2-5.DURABILITY:5000 CYCLES.
2-6.OPERATING TEMPERATURE:-30°C TO+70°C.
2-7.FOR REFLOW SOLDERING LEAD-FREE PROCESS.
2-8.This product can prevent functional failure after RJ11 insert

Part Number(客戶)	AU
2RJ1729-000111F	G/F
2RJ1729-000211F	30u"

LED ELECTRICAL CHARACTERISTIC			
NODE	COLOR	—	—
A1(-) A2(+)	AMBER	A1 ←	A2
B1(-) B2(+)	WHITE	B1 ←	B2

TABLE:

30μ"	CD4531032010	-02	WHITE NI	YES
G/F	CD4531032010	-01	WHITE NI	YES
AU PLATING	PART NUMBER-XX	SHELL PLATING	HF	

東莞世華電子有限公司
SHYH HWA ELECTRONICS CO.,LTD.(DONGGUAN)
地址:東莞市塘廈鎮諸佛嶺178工業區
TEL:0769-87910020-1 FAX:0769-87910210

DRAWN BY 彭志婷
CHECKED BY
APPROVED BY

ITEM
PART NO

MINI RJ45 PHONE JACK(反向板上5.75mm)
453專用
CD4531032010-XX

ANGLE PROJECTION
UNIT mm
SCALE 1:1
TOLERANCE .X±0.20 .XX±0.10
DATE 12/29/2016